

### Main Features :-

Full bore ball valve	Available with single acting
Nickel plated	Double acting actuator
Suitable for drinking water	Switchbox
NBR seals	Solenoid
Female BSP ends	Electro pneumatic positioner
1/2" to 2" WRAS approved	Assembled and Tested
Direct Mount	8 bar rated



TYPE: 901P PNEUMATIC

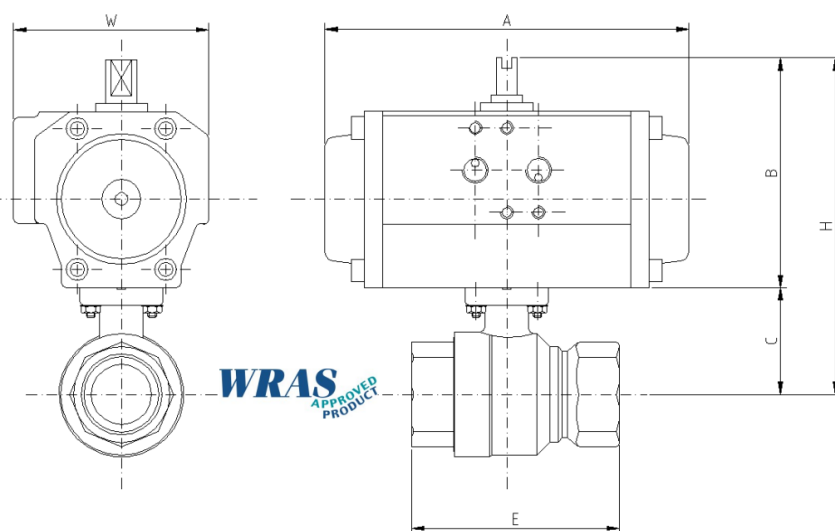
### Technical Specifications and Key Dimensions:

Specifications:	
Actuator housing:	Hard anodised aluminium
Actuator ATEX rating:	ATEX II 2GD EExd
Actuator Temp rating:	-20 +80C
Actuator pressure rating:	8 bar Max
Valve Approval:	WRAS approved for drinking water
Valve ends available:	BSP Female
Size range:	1/2" to 2"
Valve temp limits:	-20 to +95C
Valve pressure limits:	40 bar at ambient temperature

### Assembly Overview:-

A cost effective pneumatically operated brass ball valve available in double acting (air to open air to close) or single acting (failsafe, air to open spring to close). NBR seals make this valve suitable for use with oil based applications.

Don't forget your Switchboxes and / or Solenoid valve accessories.



Size	Double Acting		Single Acting	
	E	H	E	H
1/2"	59	103	59	103
3/4"	69	109	69	109
1"	83	113	83	113
1 1/4"	94	132	94	143
1 1/2"	102	135	102	146
2"	124	142.5	124	153.5

ISO 9001:2015 Accredited Company

Tel: +44(0)1386 552369

Fax: +44(0)1386 554227

sales@allvalves.co.uk

www.allvalves.co.uk

Allvalves Online Ltd, Automation House, Unit 2, Pershore, WR10 2DF UK

\*Please note that all datasheet are generally generic and are subject to change without prior notice. They are for reference only.